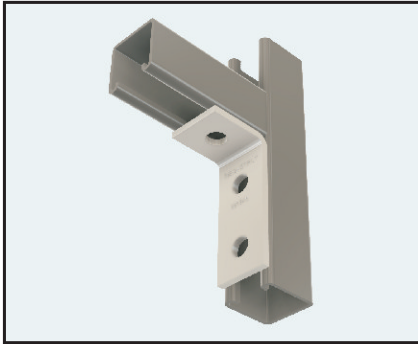


# Type AF - 90° Angle Fittings

Typical Applications for 90° Angle Fittings

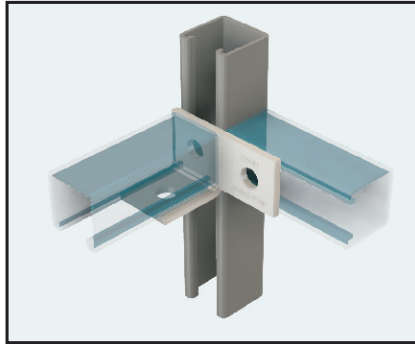


THREE HOLE CORNER ANGLE

**M1346**

Mass: 0.24

Finish Code: HDG, SS304 & SS316

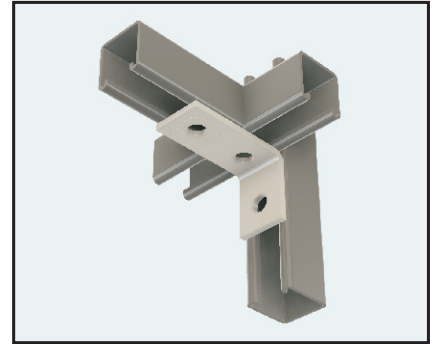


THREE HOLE OFFSET BENT ANGLE (RH)

**M1037**

Mass: 0.24

Finish Code: HDG, SS304 & SS316



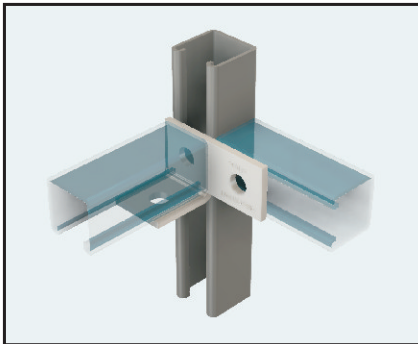
THREE HOLE CORNER ANGLE

**M1458**

Mass: 0.24

Finish Code: HDG, SS304 & SS316

Designed for your Support Systems Requirements.

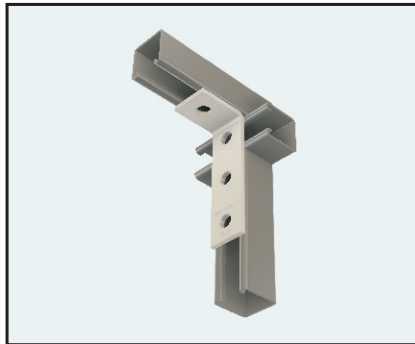


THREE HOLE OFFSET BENT ANGLE (LH)

**M1038**

Mass: 0.24

Finish Code: HDG, SS304 & SS316

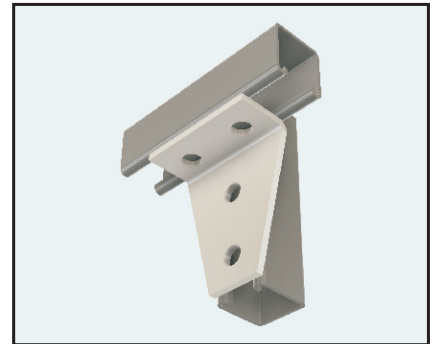


FOUR HOLE CORNER ANGLE

**M1278**

Mass: 0.24

Finish Code: HDG, SS304 & SS316

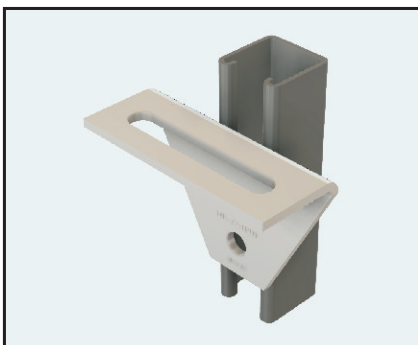


FOUR HOLE GUSSET SHELF ANGLE

**M1359**

Mass: 0.50

Finish Code: HDG, SS304 & SS316

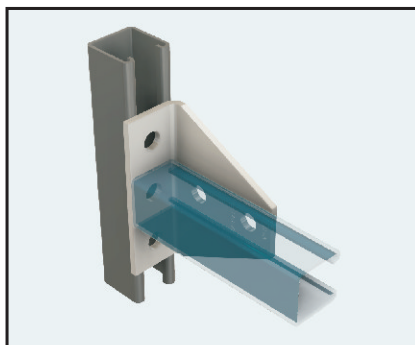


TWO HOLE ADJUSTABLE CORNER ANGLE

**M1713**

Mass: 0.67

Finish Code: HDG, SS304 & SS316



FIVE HOLE CORNER GUSSET

**M1727**

Mass: 0.37

Finish Code: HDG, SS304 & SS316



UNIVERSAL SHELF BRACKET - WELDED

**M2484**

Mass: 0.58

Finish Code: HDG, SS304 & SS316

The [Megastrut Connections](#) range is designed and manufactured by Cable management market leader [Megastrut Connections](#).