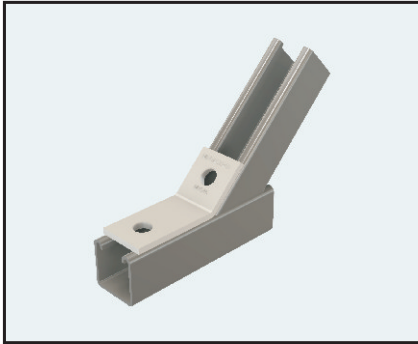


# Type AF - Angle Fittings

## Typical Applications for Angle Fittings



TWO HOLE OPEN ANGLE

**M1546 | M2095 | M2097** Mass: 0.29

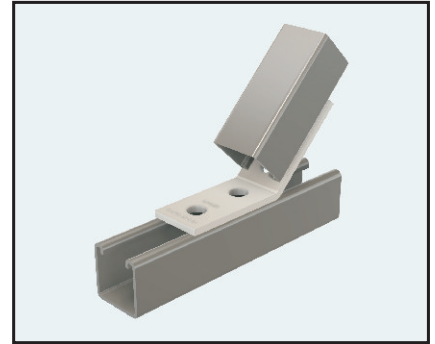
Finish Code: HDG, SS304 & SS316



TWO HOLE CLOSED ANGLE

**M1186 | M2106** Mass: 0.28

Finish Code: HDG, SS304 & SS316



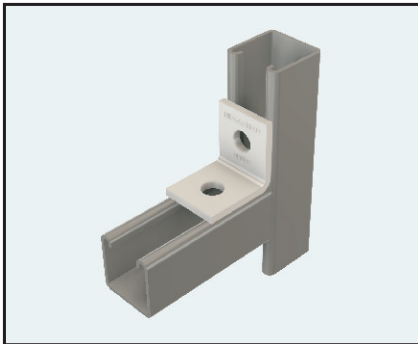
FOUR HOLE OPEN ANGLE

**M1074** Mass: 0.38

Finish Code: HDG, SS304 & SS316

## Typical Applications for 90° Angle Fittings

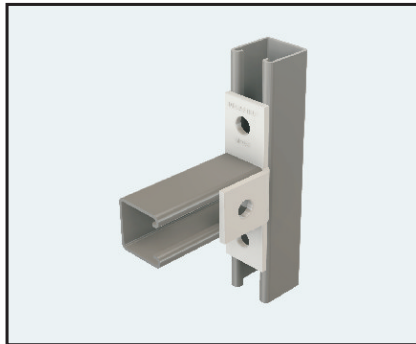
90° Angle Fittings connection arrangements are continued below.



TWO HOLE CORNER ANGLE

**M1026** Mass: 0.20

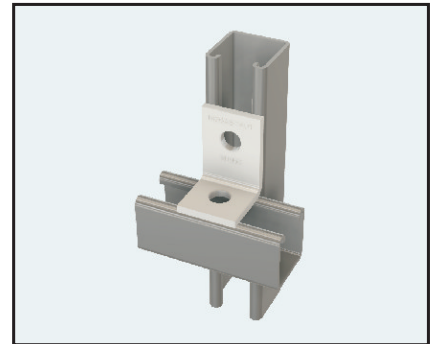
Finish Code: HDG, SS304 & SS316



FOUR HOLE OFFSET BENT TEE

**M1033** Mass: 0.38

Finish Code: HDG, SS304 & SS316



TWO HOLE CORNER ANGLE

**M1068** Mass: 0.19

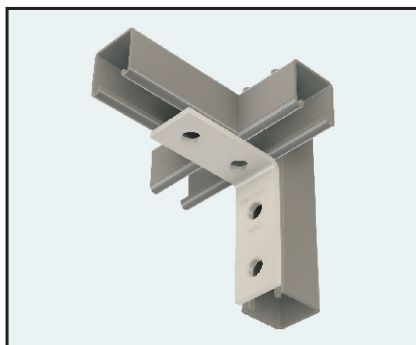
Finish Code: HDG, SS304 & SS316



THREE HOLE CORNER ANGLE

**M1326** Mass: 0.29

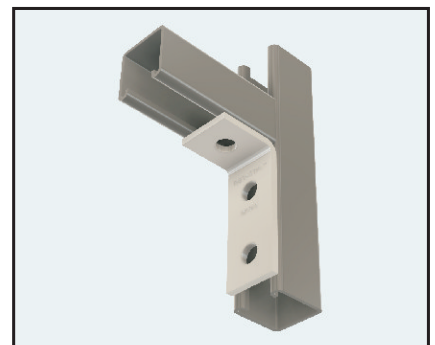
Finish Code: HDG, SS304 & SS316



FOUR HOLE CORNER ANGLE

**M1325** Mass: 0.37

Finish Code: HDG, SS304 & SS316



THREE HOLE CORNER ANGLE

**M1346** Mass: 0.28

Finish Code: HDG, SS304 & SS316

Metal Framing system provides an economical solution for electrical, mechanical and industrial support with an unlimited variety of applications in the construction industry.