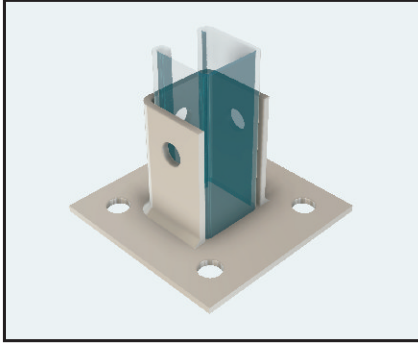


Type BF - Base Fittings

Typical Applications for Base Fittings

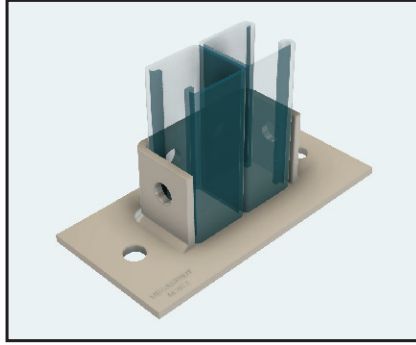


POST BASE FOR P1000 CHANNEL

M2072A

Mass: 0.58

Finish Code: HDG, SS304 & SS316

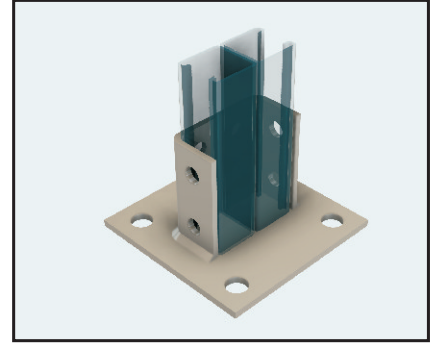


POST BASE FOR P1001 & P1001A CHANNEL

M2073

Mass: 0.92

Finish Code: HDG, SS304 & SS316



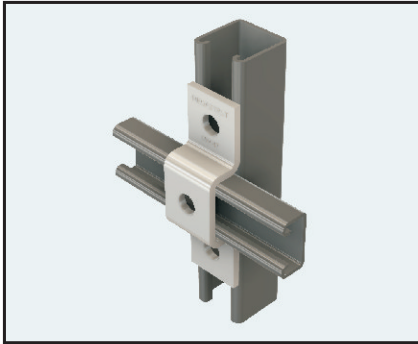
POST BASE FOR P1001 & P1001A CHANNEL

M2073A

Mass: 1.85

Finish Code: HDG, SS304 & SS316

Typical Applications for U and Z Fittings

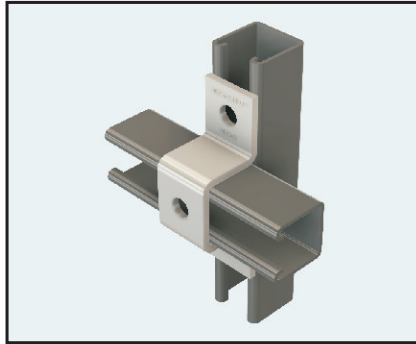


THREE HOLE U SUPPORT

M4047

Mass: 0.33

Finish Code: HDG, SS304 & SS316

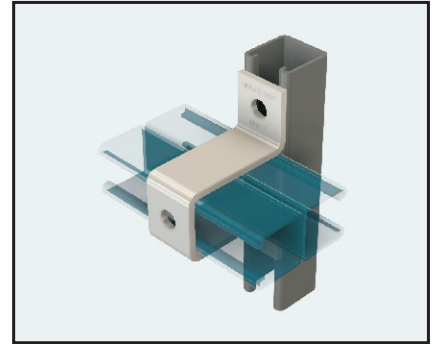


THREE HOLE U SUPPORT

M1047

Mass: 0.41

Finish Code: HDG, SS304 & SS316



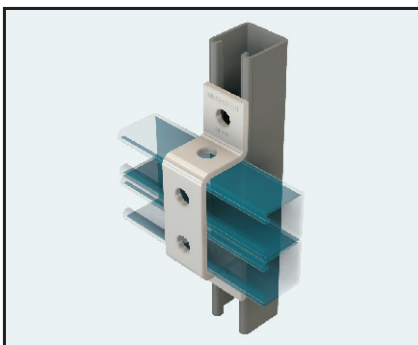
THREE HOLE U SUPPORT

M1737

Mass: 0.62

Finish Code: HDG, SS304 & SS316.

More examples of popular connection are shown.

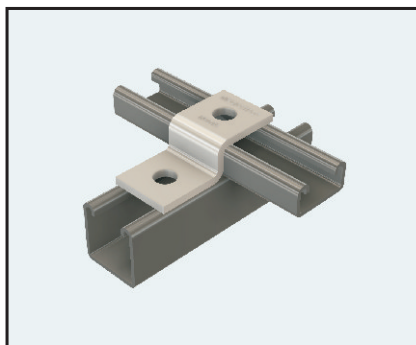


SIX HOLE U SUPPORT

M1043

Mass: 0.52

Finish Code: HDG, SS304 & SS316

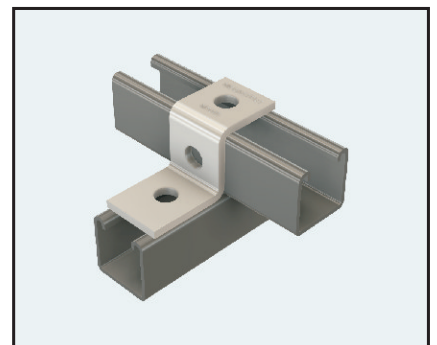


TWO HOLE Z SUPPORT

M4045

Mass: 0.46

Finish Code: HDG, SS304 & SS316



TWO HOLE Z SUPPORT

M1045

Mass: 0.36

Finish Code: HDG, SS304 & SS316

Metal Framing support system is designed with many time saving features, They are fully adjustable and reusable.