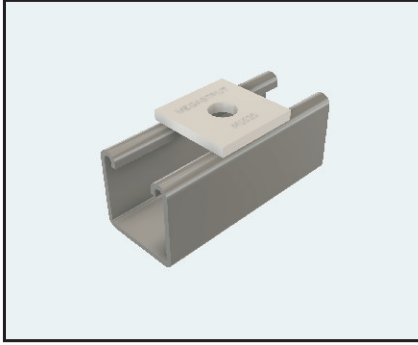


# Type FF - Flat Fittings

Typical Applications for Flat Fittings

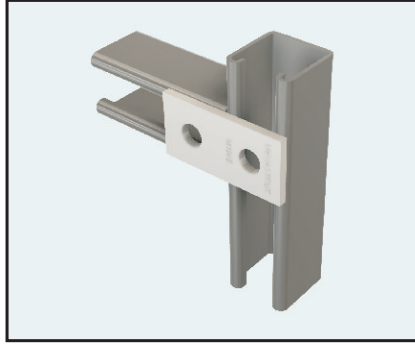


ONE HOLE PLATE

**M1019|M1020**

Mass: 0.06

Finish Code: HDG, SS304 & SS316

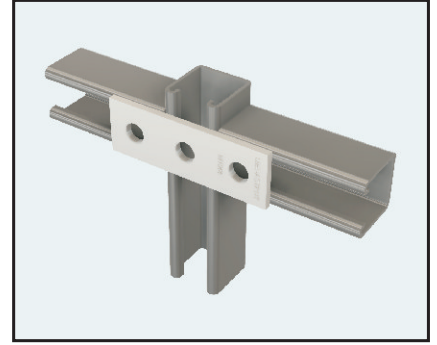


TWO HOLE SPLICE PLATE

**M1065**

Mass: 0.15

Finish Code: HDG, SS304 & SS316



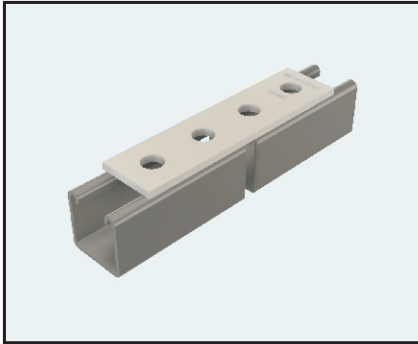
THREE HOLE SPLICE PLATE

**M1066**

Mass: 0.23

Finish Code: HDG, SS304 & SS316

Support Systems that make sense.

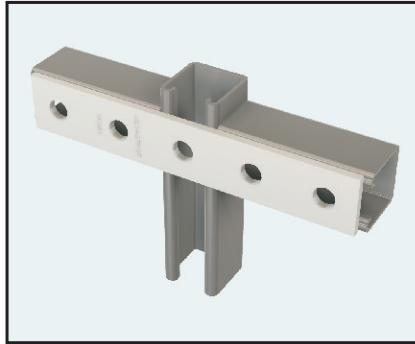


FOUR HOLE SPLICE PLATE

**M1067**

Mass: 0.33

Finish Code: HDG, SS304 & SS316

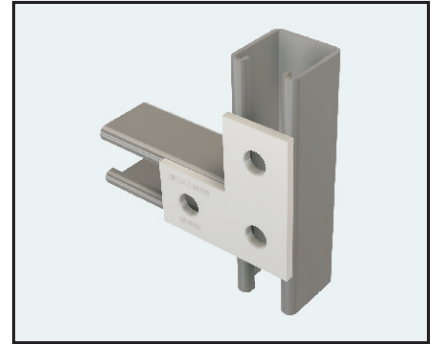


FIVE HOLE SPLICE PLATE

**M1941**

Mass: 0.41

Finish Code: HDG, SS304 & SS316



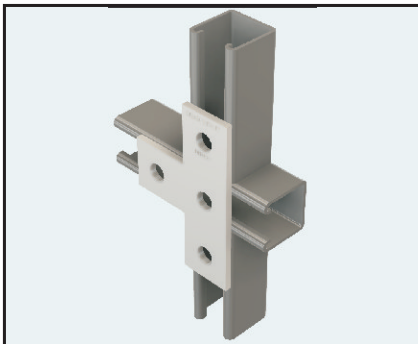
THREE HOLE CORNER PLATE

**M1036**

Mass: 0.28

Finish Code: HDG, SS304 & SS316.

More examples of popular connection are shown.

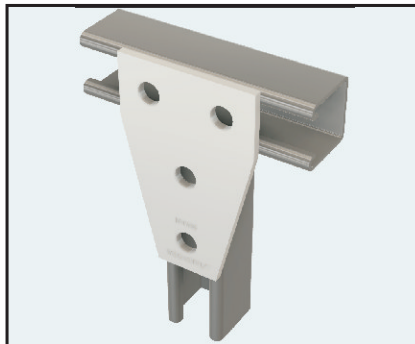


FOUR HOLE TEE PLATE

**M1031**

Mass: 0.34

Finish Code: HDG, SS304 & SS316

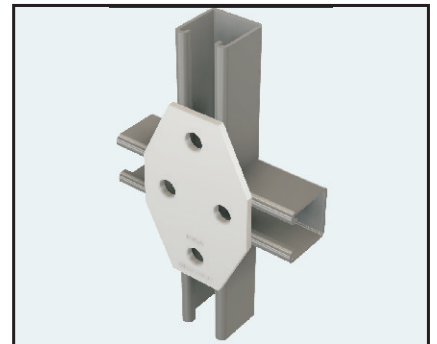


FOUR HOLE TEE GUSSET PLATE

**M1358**

Mass: 0.46

Finish Code: HDG, SS304 & SS316



FOUR HOLE CROSS GUSSET PLATE

**M1580**

Mass: 0.36

Finish Code: HDG, SS304 & SS316

Metal Framing support system is designed with many time saving features, They are fully adjustable and reusable.