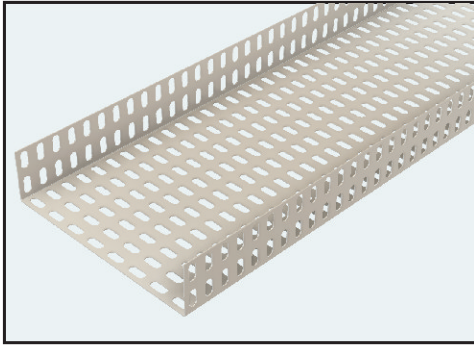
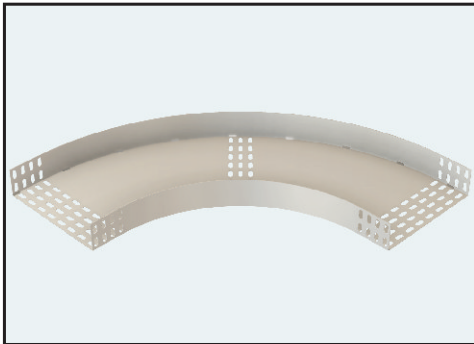


Cable Tray

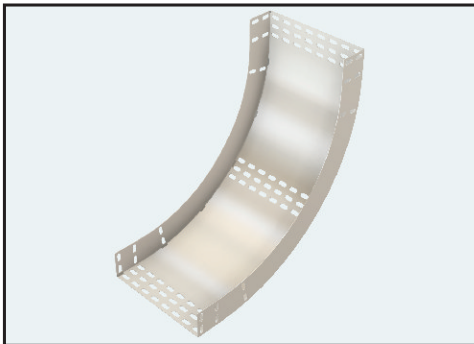
H76 Heavy Duty Cable Tray



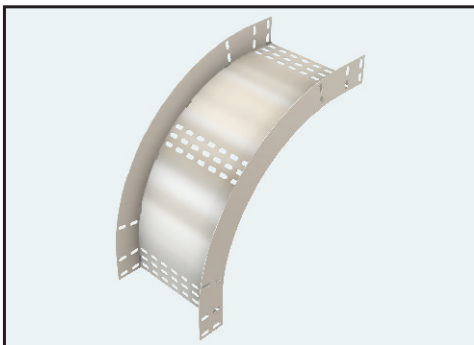
H76 CABLE TRAY STRAIGHT X 3M



H76 CABLE TRAY HORIZONTAL BEND

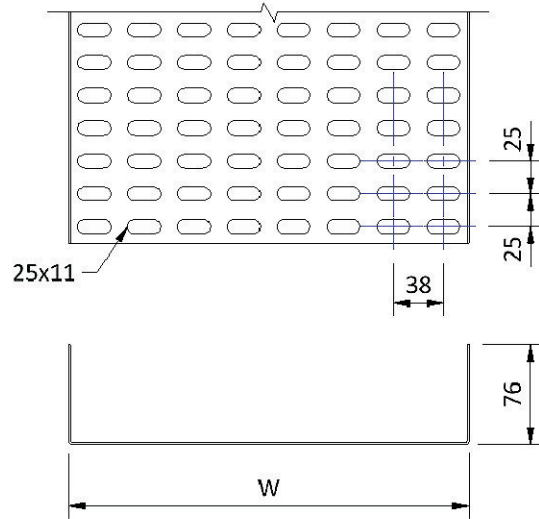


**H76 CABLE TRAY INTERNAL BEND
USED AS INTERNAL BEND 90°**

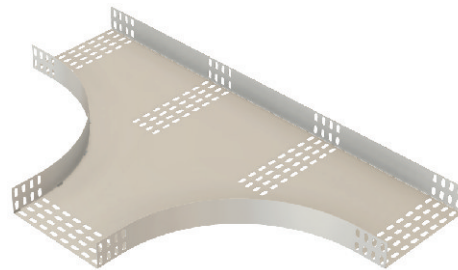


**H76 CABLE TRAY EXTERNAL BEND
USED AS EXTERNAL BEND 90°**

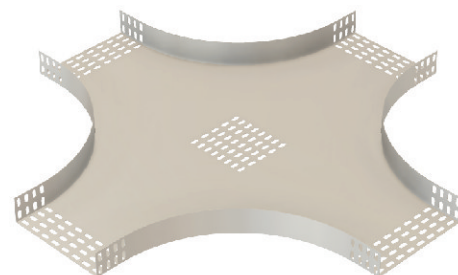
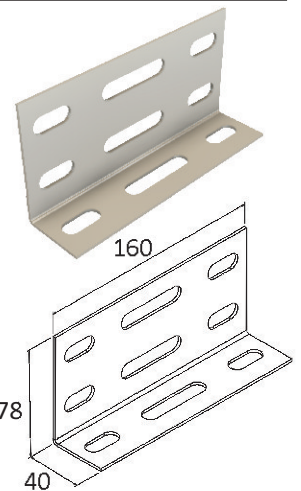
Straight Section: 3M



Part No:	Finish		W
	HDG	SS	
H76/75	HDG	SS	75 mm
H76/115	HDG	SS	115 mm
H76/152	HDG	SS	152 mm
H76/228	HDG	SS	228 mm
H76/305	HDG	SS	305 mm
H76/457	HDG	SS	457 mm
H76/610	HDG	SS	610 mm



H76 CABLE TRAY TEE



H76 CABLE TRAY 4-WAY

H76 SPLICE SET

Hardware:

- 2 Off: Splice Plates.
- 8 Off: M10x20 Dome Head Slotted Bolts.
- 8 Off: M10 Hex Nuts & Flat Washers.
- (W=450-900mm): Add on
- 1 Off: Centre Splice
- 4 Off: M10x20 Dome Head Slotted Bolts.
- 4 Off: M10 Hex Nuts & Flat Washers.