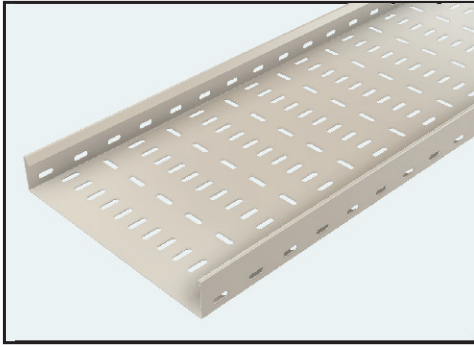
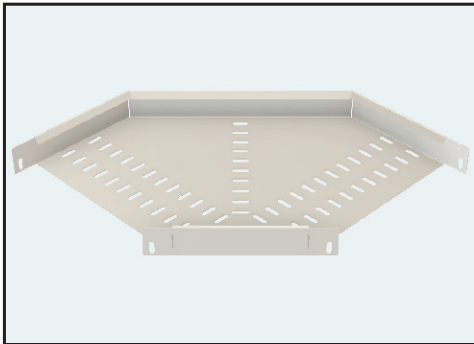


Cable Tray

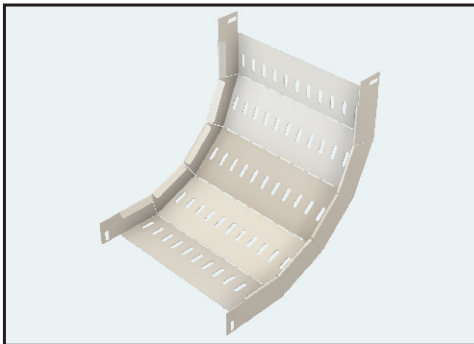
Heavy Duty Return Flange Cable Tray



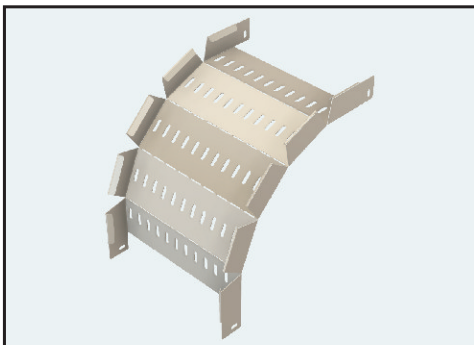
R50 CABLE TRAY STRAIGHT X 3M



R50 CABLE TRAY HORIZONTAL BEND

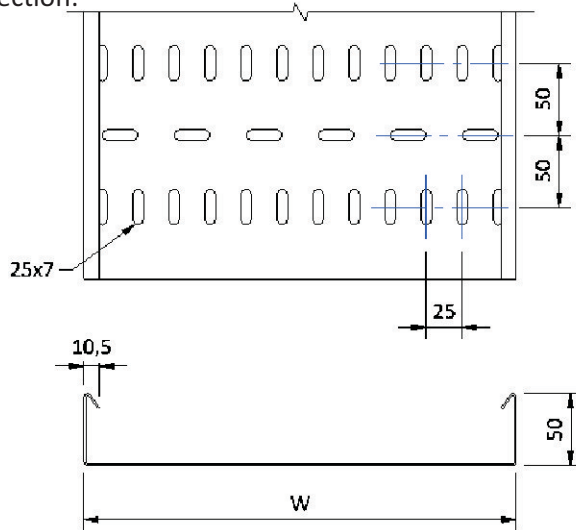


R50 CABLE TRAY INTERNAL BEND
USED AS INTERNAL BEND=90°,60°,45°,30°

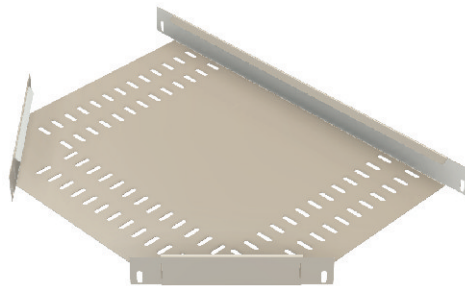


R50 CABLE TRAY EXTERNAL BEND
USED AS EXTERNAL BEND=90°,60°,45°,30°

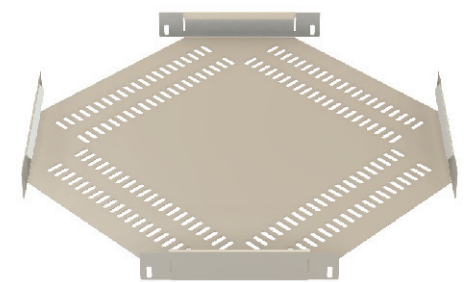
Straight Section:



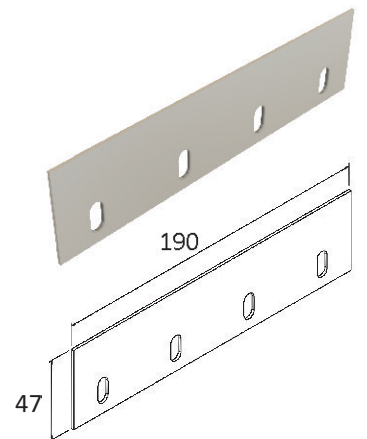
Part No:	Finish		W
R50/75	PG	SS	75 mm
R50/100	PG	SS	100 mm
R50/150	PG	SS	150 mm
R50/225	PG	SS	225 mm
R50/300	PG	SS	300 mm
R50/450	PG	SS	450 mm
R50/600	PG	SS	600 mm
R50/750	PG	SS	750 mm
R50/900	PG	SS	900 mm



R50 CABLE TRAY TEE



R50 CABLE TRAY 4-WAY



R50 SPLICE SET

Straight Section Tray Hardware:

- 2 Off: Splice Plates
- 8 Off: M6x12 Gutter Bolt & Nuts (W=450-900mm): Add on
- 1 Off: Centre Splice
- 4 Off: M6x12 Gutter Bolt & Nuts

Designed For Your Cable Support Requirements.