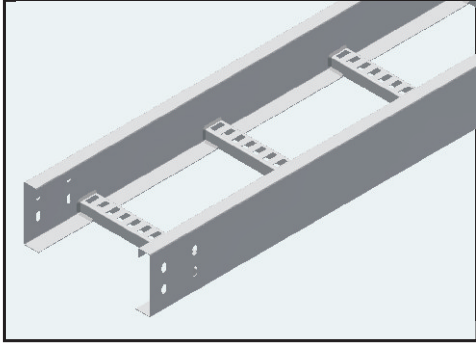
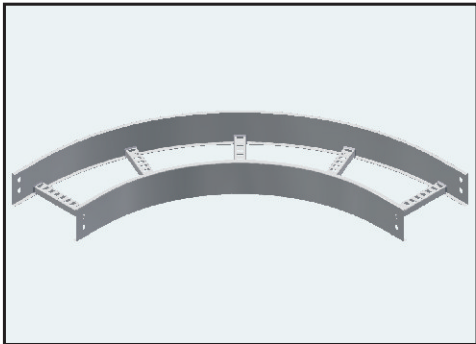


# Cable Ladder

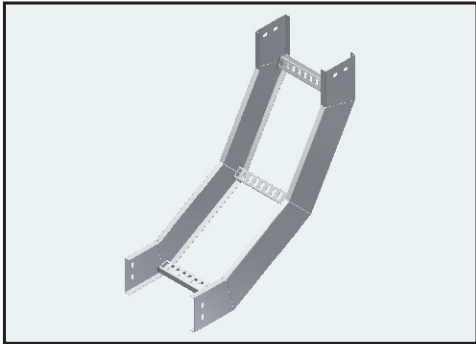
M20B CABLE LADDER | Horizontal Mounting



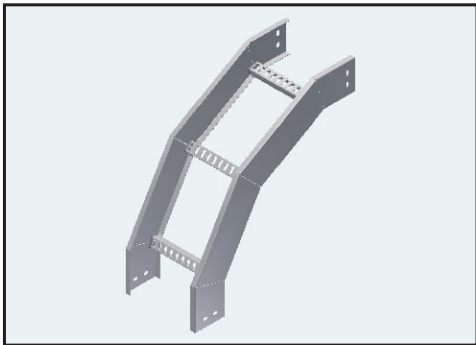
**M20B CABLE LADDER STRAIGHT X 6M**



**M20B HORIZONTAL BEND RADIUS 650**

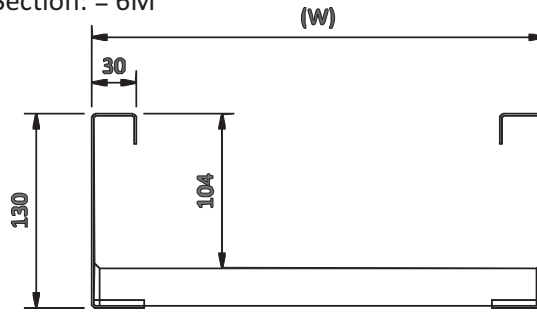


**M20B INTERNAL BEND RADIUS 650  
USED AS INTERNAL BEND 90°**



**M20B EXTERNAL BEND RADIUS 650  
USED AS EXTERNAL BEND 90°**

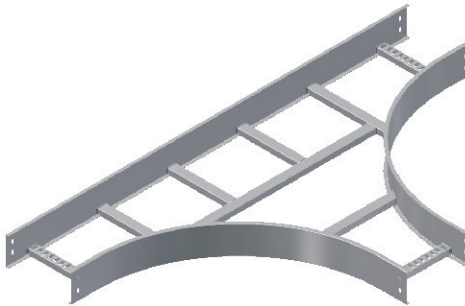
Straight Section: = 6M



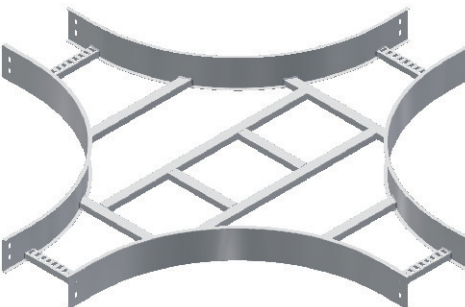
Part No:	Finish		W
M20B/150	HDG	SS	150 mm
M20B/200	HDG	SS	200 mm
M20B/300	HDG	SS	300 mm
M20B/400	HDG	SS	400 mm
M20B/500	HDG	SS	500 mm
M20B/600	HDG	SS	600 mm
M20B/650	HDG	SS	650 mm
M20B/800	HDG	SS	800 mm
M20B/1000	HDG	SS	1000 mm

**SPECIFICATIONS:**

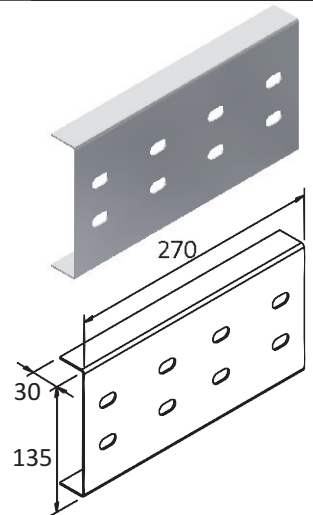
Application: Horizontal Mounting  
 Material: Mild Steel  
 Cross Rung Spacing: 300 mm  
 Accessories Radius: 650 mm and 1000 mm



**M20B TEE**



**M20B 4-WAY**



**M20B SPLICE SET**

**Hardware:**

- 2 Off: Splice Plates.
- 16 Off: M10 x 20 Button Head Allen Cap Screws.
- 16 Off: M10 Hex Nuts.
- 16 Off: M10 Flat Washer.

Designed and Tested in accordance with NEMA 20B Specification.