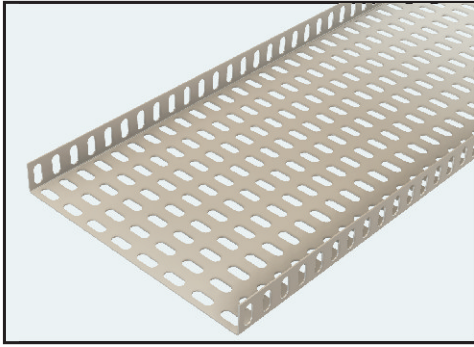
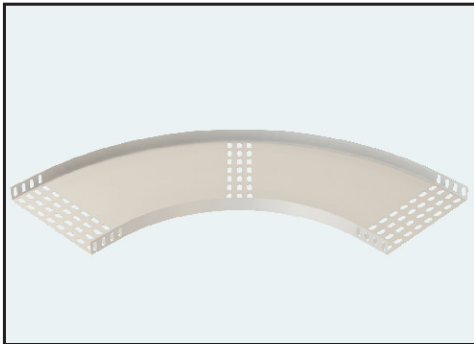


Cable Tray

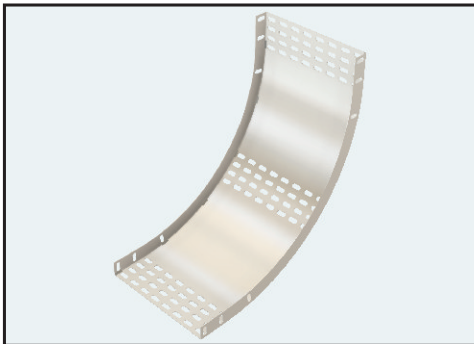
M38 Medium Duty Cable Tray



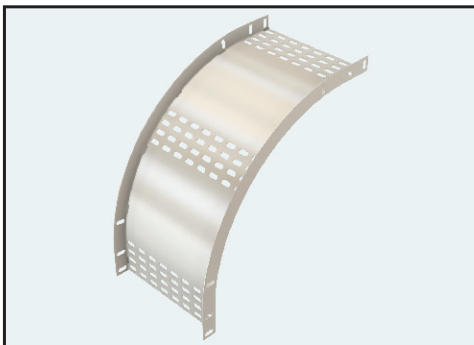
M38 CABLE TRAY STRAIGHT X 3M



M38 CABLE TRAY HORIZONTAL BEND

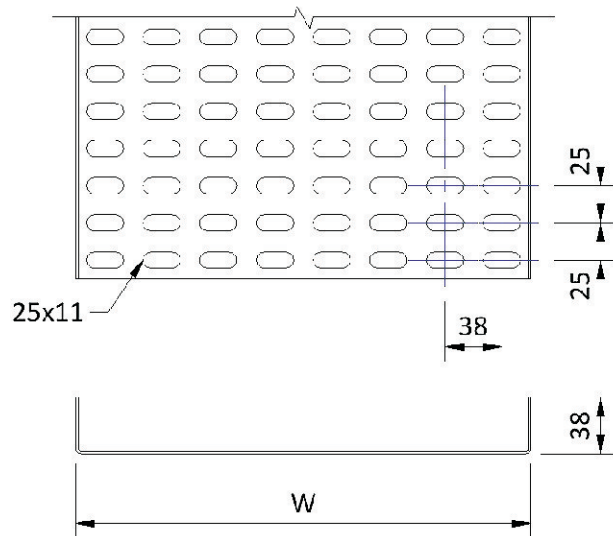


**M38 CABLE TRAY INTERNAL BEND
USED AS INTERNAL BEND 90°**

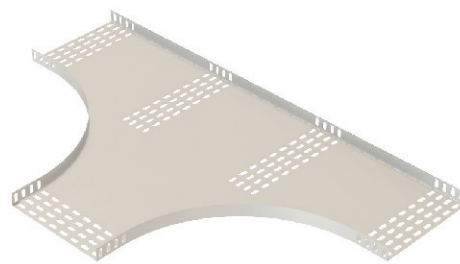


**M38 CABLE TRAY EXTERNAL BEND
USED AS EXTERNAL BEND 90°**

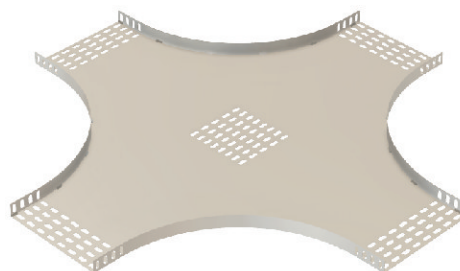
Straight Section: 3M



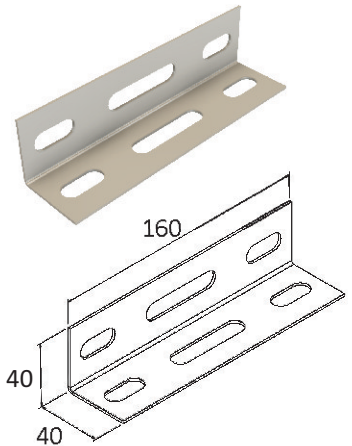
Part No:	Finish		W
	HDG	SS	
M38/75	HDG	SS	75 mm
M38/115	HDG	SS	115 mm
M38/152	HDG	SS	152 mm
M38/228	HDG	SS	228 mm
M38/305	HDG	SS	305 mm
M38/457	HDG	SS	457 mm
M38/610	HDG	SS	610 mm



M38 CABLE TRAY TEE



M38 CABLE TRAY 4-WAY



M38 SPLICE SET

Hardware:

- 2 Off: Splice Plates.
- 8 Off: M10x20 Dome Head Slotted Bolts.
- 8 Off: M10 Hex Nuts & Flat Washers.
- (W=450-900mm): Add on
- 1 Off: Centre Splice
- 4 Off: M10x20 Dome Head Slotted Bolts.
- 4 Off: M10 Hex Nuts & Flat Washers.