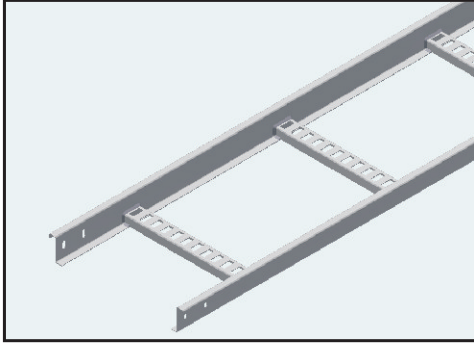
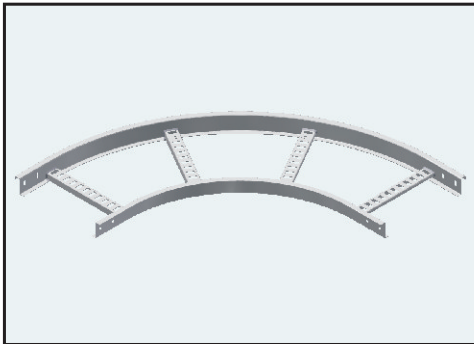


# Cable Ladder

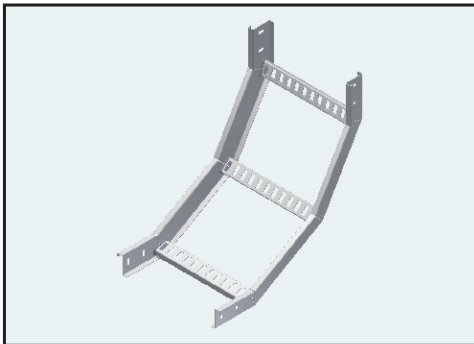
M55 Cable ladder | Horizontal Mounting



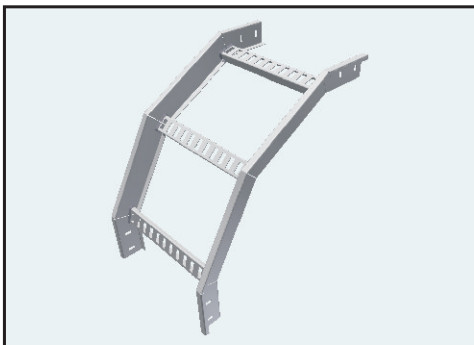
**M55 CABLE LADDER STRAIGHT X 3M**



**M55 HORIZONTAL BEND RADIUS 450**

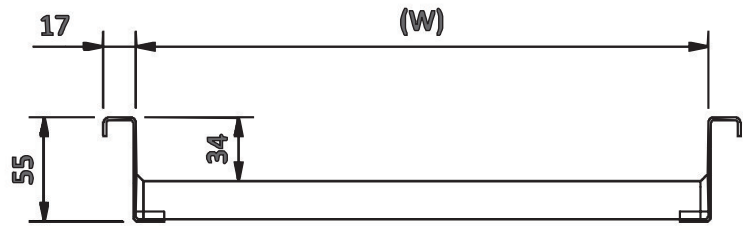


**M55 INTERNAL BEND RADIUS 450  
USED AS INTERNAL BEND 90°**



**M55 EXTERNAL BEND RADIUS 450  
USED AS EXTERNAL BEND 90°**

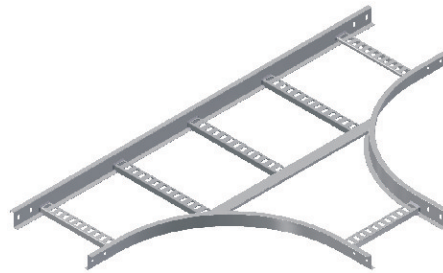
Straight Section: = 3M



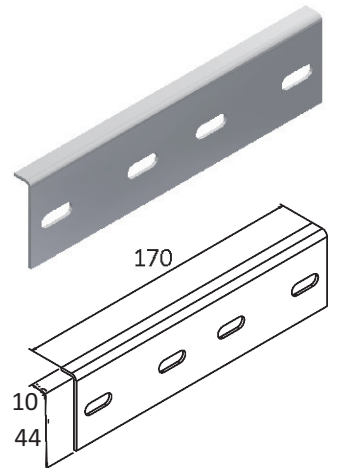
Part No:	Finish		W
M55/100	HDG	SS	100 mm
M55/150	HDG	SS	150 mm
M55/200	HDG	SS	200 mm
M55/300	HDG	SS	300 mm
M55/400	HDG	SS	400 mm
M55/450	HDG	SS	450 mm
M55/500	HDG	SS	500 mm

**SPECIFICATIONS:**

Application: Horizontal Mounting  
 Material: Mild Steel  
 Cross Rung Spacing: 375 mm  
 Accessories Radius: 450 mm

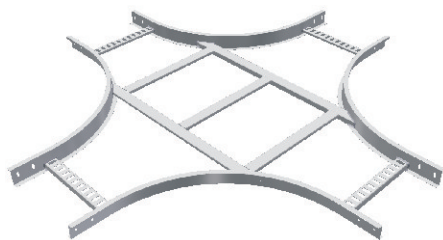


**M55 TEE**



**M55 SPLICE SET**

**Hardware:**  
 2 Off: Splice Plates.  
 8 Off: M6x16 Cup Square Bolt.  
 8 Off: M6 Hex Nuts.  
 8 Off: M6 Flat Washer.



**M55 4-WAY**

Designed For Your Cable Support Requirements.