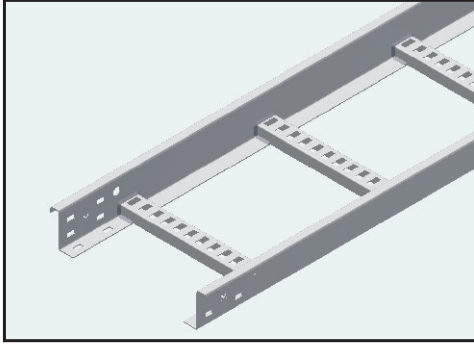
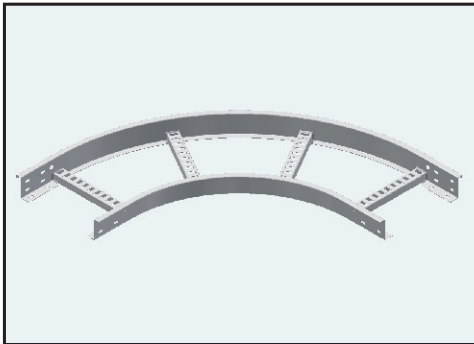


Cable Ladder

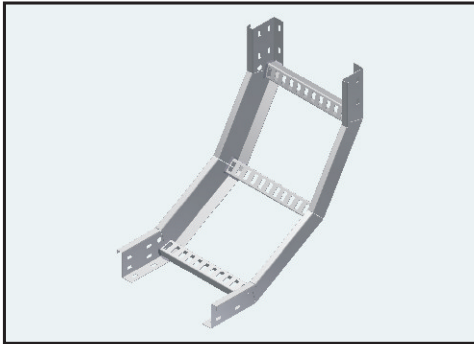
M75 Cable ladder | Edge Mounting



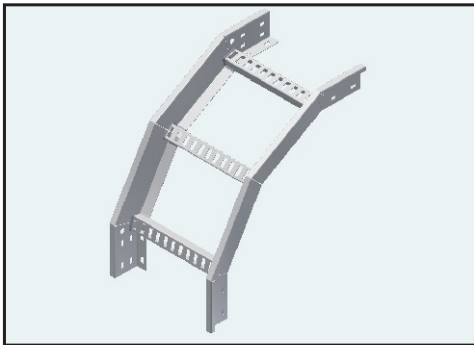
M75 CABLE LADDER STRAIGHT X 3M



M75 HORIZONTAL BEND RADIUS 450

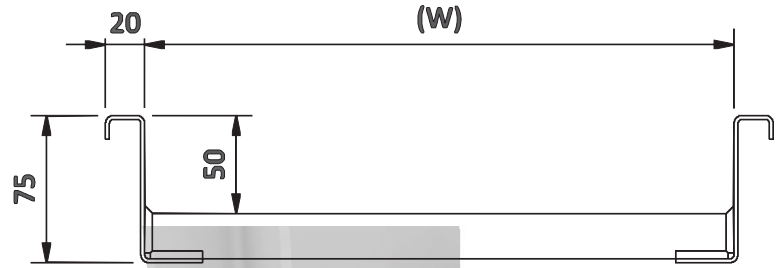


**M75 INTERNAL BEND RADIUS 450
USED AS INTERNAL BEND 90°**



**M75 EXTERNAL BEND RADIUS 450
USED AS EXTERNAL BEND 90°**

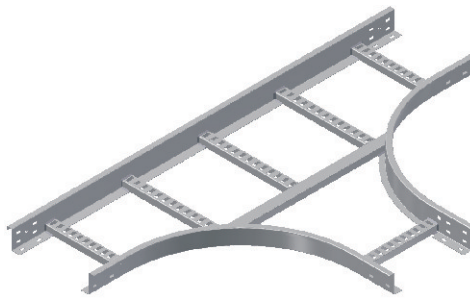
Straight Section: = 3M



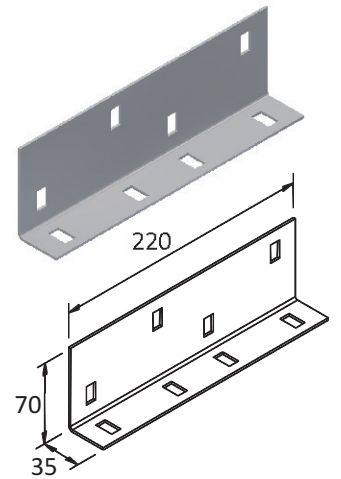
Part No:	Finish		W
M75/100	HDG	SS	100 mm
M75/150	HDG	SS	150 mm
M75/200	HDG	SS	200 mm
M75/300	HDG	SS	300 mm
M75/400	HDG	SS	400 mm
M75/500	HDG	SS	500 mm
M75/600	HDG	SS	600 mm
M75/800	HDG	SS	800 mm
M75/1000	HDG	SS	1000 mm

SPECIFICATIONS:

Application: Edge Mounting
 Material: Mild Steel
 Cross Rung Spacing: 300mm
 Accessories Radius: 450 mm, 650 mm and 1000 mm

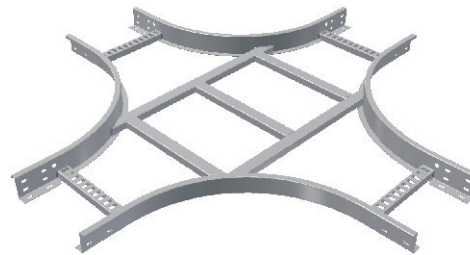


M75 TEE



M75 SPLICE SET

Hardware:
 2 Off: Splice Plates.
 16 Off: M8 x 16 Round Head Square Neck Bolt.
 16 Off: M8 Hex Nuts.
 16 Off: M8 Flat Washer.



M75 4-WAY

Designed For Your Cable Support Requirements.