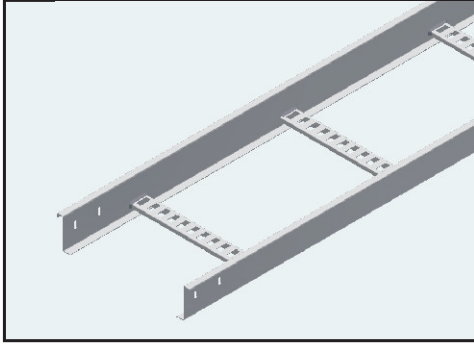
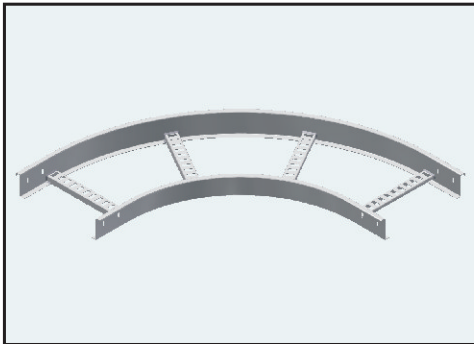


Cable Ladder

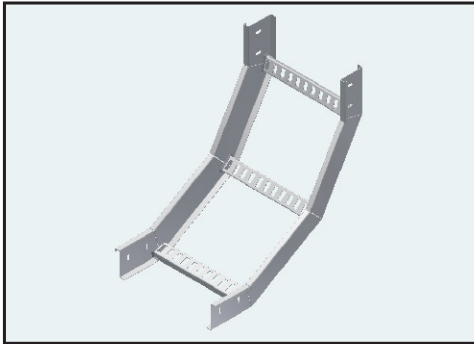
M76 Cable ladder | Horizontal Mounting



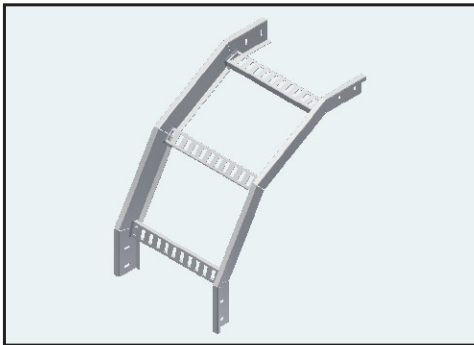
M76 CABLE LADDER STRAIGHT X 3M



M76 HORIZONTAL BEND RADIUS 450



**M76 INTERNAL BEND RADIUS 450
USED AS INTERNAL BEND 90°**



**M76 EXTERNAL BEND RADIUS 450
USED AS EXTERNAL BEND 90°**

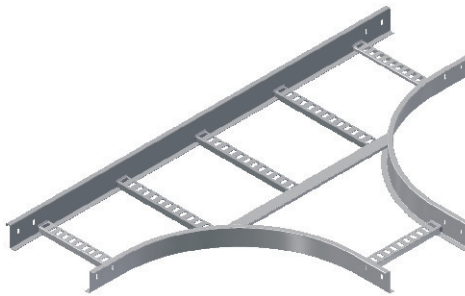
Straight Section: = 3M



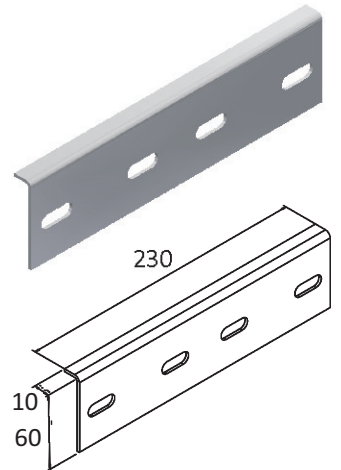
Part No:	Finish		W
M76/100	HDG	SS	100 mm
M76/150	HDG	SS	150mm
M76/200	HDG	SS	200 mm
M76/300	HDG	SS	300 mm
M76/400	HDG	SS	400 mm
M76/500	HDG	SS	500 mm
M76/600	HDG	SS	600 mm
M76/800	HDG	SS	800 mm
M76/1000	HDG	SS	1000 mm

SPECIFICATIONS:

Application: Horizontal Mounting
 Material: Mild Steel
 Cross Rung Spacing: 375 mm
 Accessories Radius: 450 mm

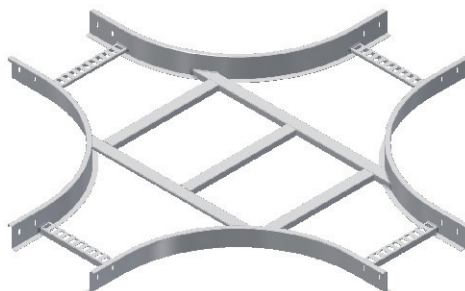


M76 TEE



M76 SPLICE SET

Hardware:
 2 Off: Splice Plates.
 8 Off: M6x16 Cup Square Bolt.
 8 Off: M6 Hex Nuts.
 8 Off: M6 Flat Washer.



M76 4-WAY

Designed For Your Cable Support Requirements.