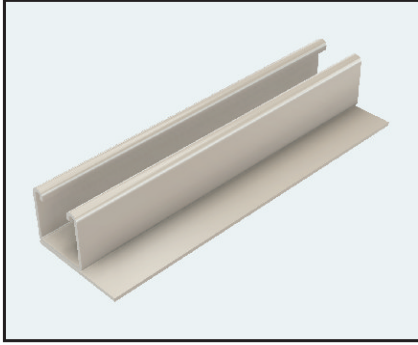


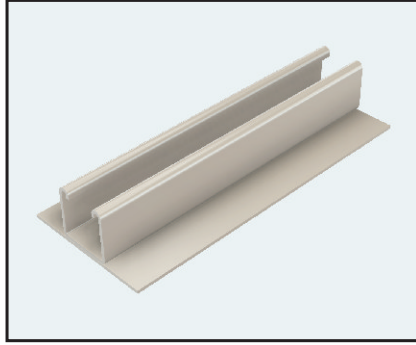
Special Channels and Combinations



M1003

Length=3m

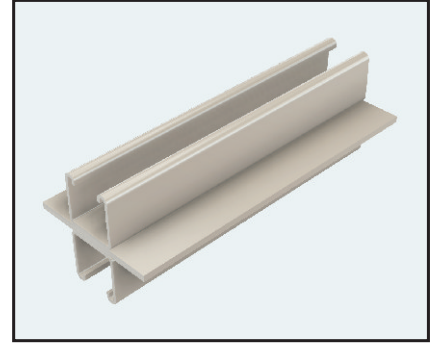
Finish Code: HDG



M1003-A

Length=3m

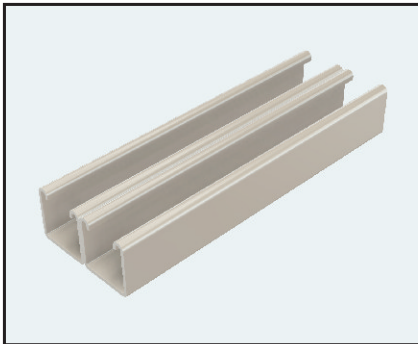
Finish Code: HDG



M1003-B

Length=6m

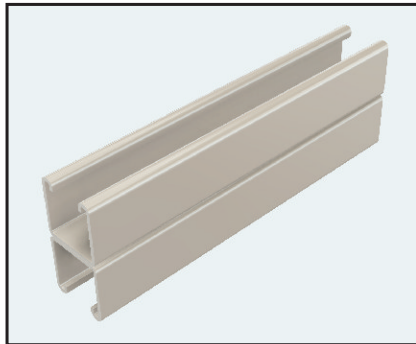
Finish Code: HDG



M1001-A

Length=6m

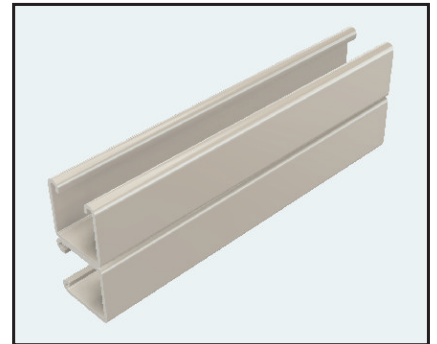
Finish Code: HDG



M1001

Length=6m

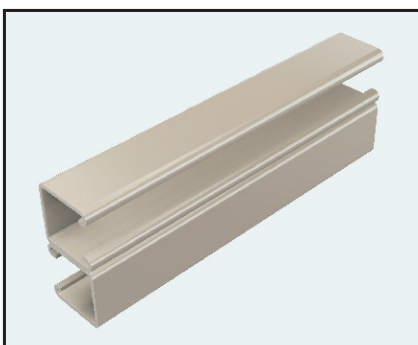
Finish Code: HDG



M1001-C

Length=6m

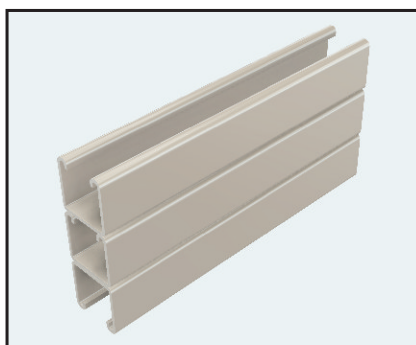
Finish Code: HDG



M1001-B

Length=6m

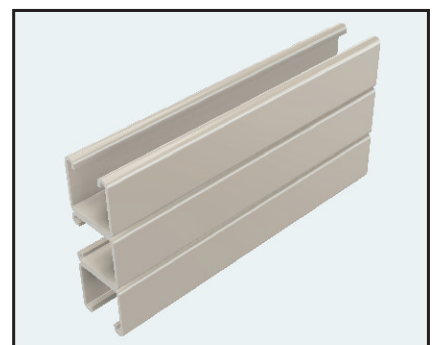
Finish Code: HDG



M1001-3

Length=6m

Finish Code: HDG



M1001-A3

Length=6m

Finish Code: HDG

When the job calls for Strut Connections,
Megastrut Connections is simply the best choice.