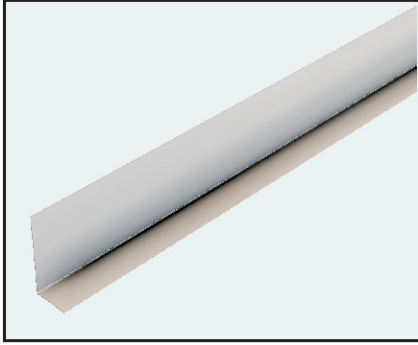


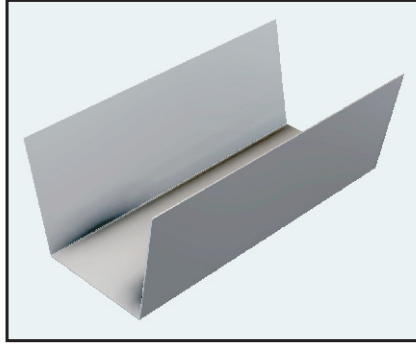
CABLE TRUNKING

Wiring Channels - Accessories



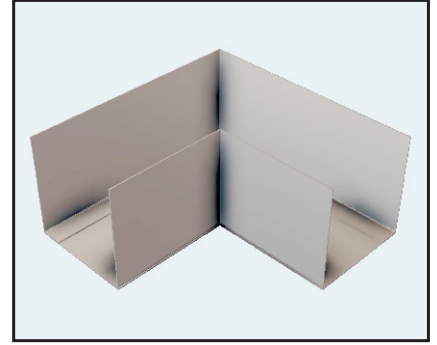
M8000/9000 DIVIDER

Finish Code: Pre-Galvanized



M8000/9000 INTERNAL SPLICE

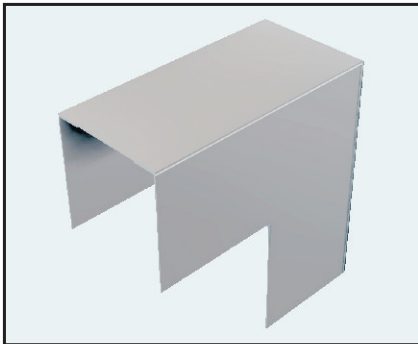
Finish Code: Pre-Galvanized



M8000/9000 HORIZONTAL ELBOW

Finish Code: Pre-Galvanized

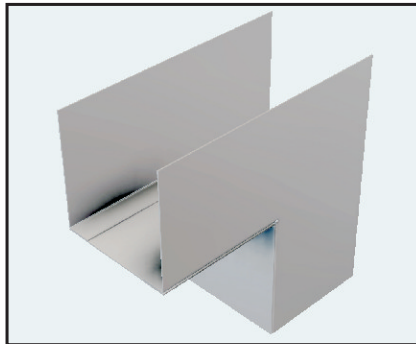
Send your enquiries to us and we will resolve your issues, using our technical innovation experience.



C/W COVER

M8000/9000 INTERNAL ELBOW

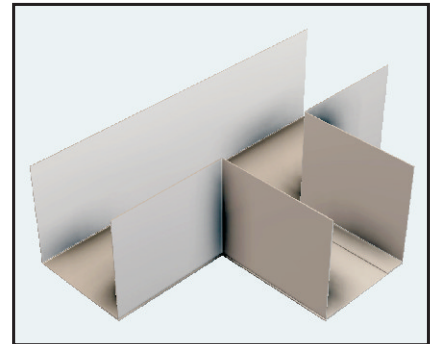
Finish Code: Pre-Galvanized



C/W COVER

M8000/9000 EXTERNAL ELBOW

Finish Code: Pre-Galvanized

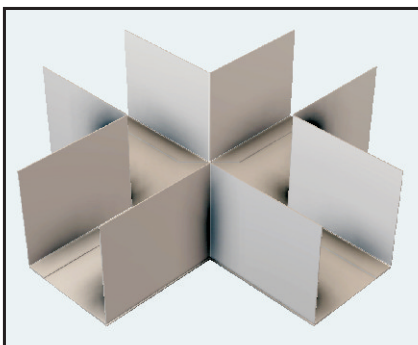


C/W COVER

M8000/9000 TEE

Finish Code: Pre-Galvanized

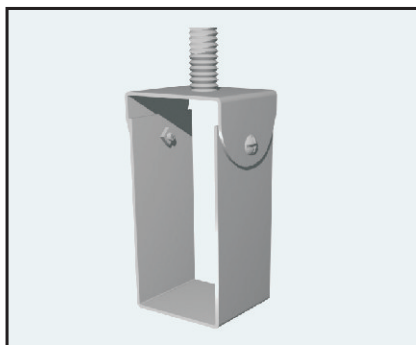
Wiring Channels can be supplied in various finishes i.e. Pre-Galvanized. Powder coated or Painted.



C/W COVER

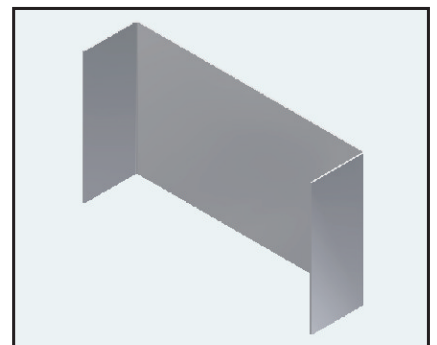
M8000/9000 4-WAY

Finish Code: Pre-Galvanized



M8000/9000 HANGER

Finish Code: Pre-Galvanized



M8000/9000 END CAP

Finish Code: Pre-Galvanized