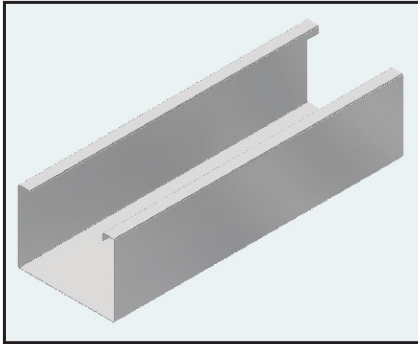


CABLE TRUNKING

Wiring Channels and Covers

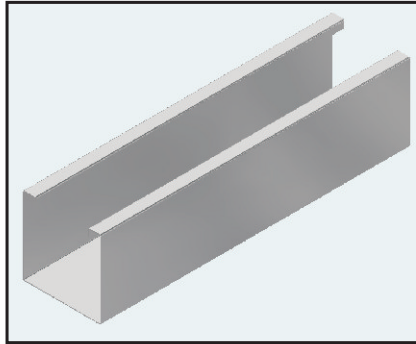


Wiring Channel: H x B = 76 x 100

M7100

Mass: 5.5

Finish Code: Pre-Galvanized

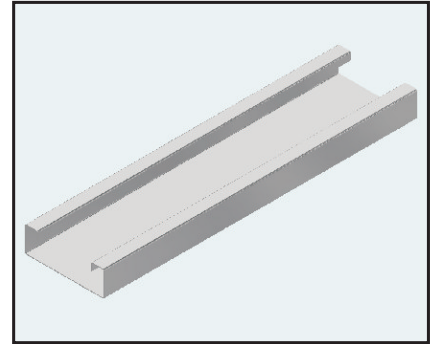


Wiring Channel: H x B = 76 x 76

M8000

Mass: 4.9

Finish Code: Pre-Galvanized



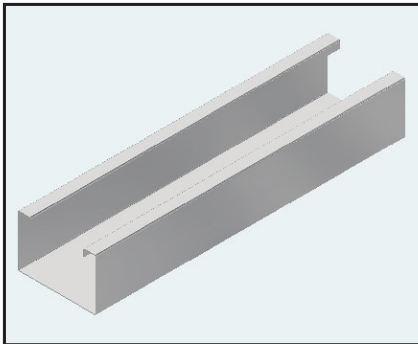
Wiring Channel: H x B = 25 x 76

M8100

Mass: 3.0

Finish Code: Pre-Galvanized

Send your enquiries to us and we will resolve your issues, using our technical innovation experience.

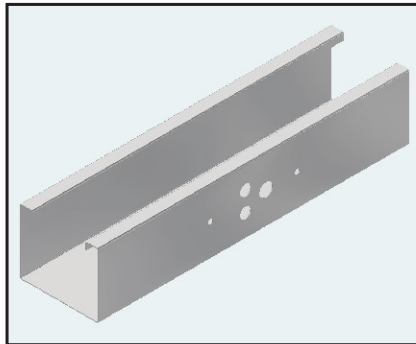


Wiring Channel: H x B = 51 x 76

M8200

Mass: 4.0

Finish Code: Pre-Galvanized

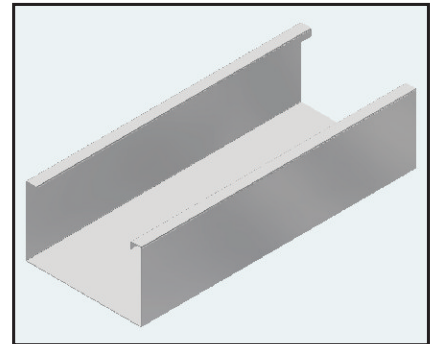


Wiring Channel: H x B = 63 x 76

M8300

Mass: 4.5

Finish Code: Pre-Galvanized



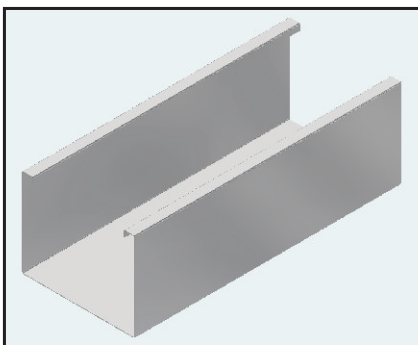
Wiring Channel: H x B = 76 x 127

M9000

Mass: 5.9

Finish Code: Pre-Galvanized

Wiring Channels can be supplied in various finishes i.e. Pre-Galvanized. Powder coated or Painted.

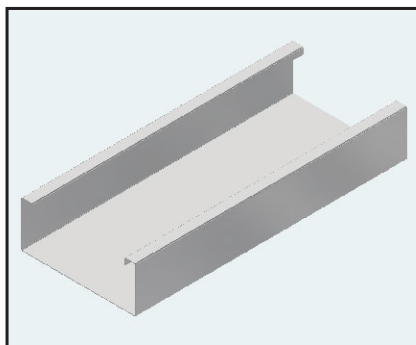


Wiring Channel: H x B = 100 x 127

M9100

Mass: 6.8

Finish Code: Pre-Galvanized

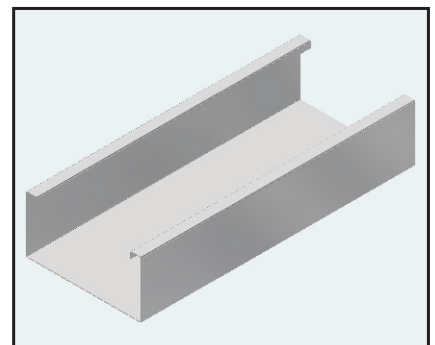


Wiring Channel: H x B = 51 x 127

M9200

Mass: 5.0

Finish Code: Pre-Galvanized



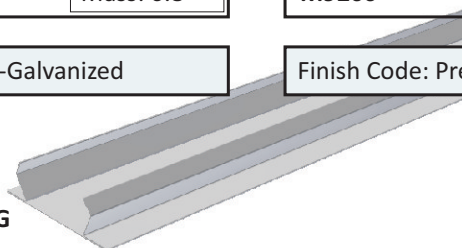
Wiring Channel: H x B = 63 x 127

M9300

Mass: 5.4

Finish Code: Pre-Galvanized

COVER M9184-PG



COVER M9184-PVC

